

FF II TS 55mm F2.8 Macro 1X

使用手册
Instruction Manual



微信公众账号



FACEBOOK

安徽长庚光学科技有限公司

www.laowalens.com

服务热线: 400-066-1316

Email: sales@laowalens.com

电话Tel: (+86) 551-69107990

地址: 合肥市庐阳区天水路与太和路交叉口庐阳中科大校友创新园5号楼

Add: Building 5, USTC Alumni Innovation Park, Crossing of Tianshui
and Taihe Road, Luyang District, Hefei City, Anhui Province, China

LAOWA 老蛙

本公司保留更改产品设计与规格的权利, 届时恕不另行通知;
本公司保留对此《使用说明》的最终解释权。


Please note we reserve the right to change our product's
design and specifications at any time without notice and
to the final interpretation of the *Instruction Manual*.



前言

真诚的感谢您选购FF II TS 55mm F2.8 Macro 1X 镜头!为了让您充分理解本产品的使用方法和注意事项,请您在使用前仔细阅读本说明书。



 为了操作上的安全,使用本产品前请务必仔细阅读使用手册与注意事项,并将手册放在需要时容易取得的地方。如遇到不能解决的问题请通过售后电话获取技术支持。

主要特色

- 一、该镜头是针对全画幅相机设计的标准焦段移微距镜头，具有从1倍放大到无穷远成像， $\pm 12\text{mm}$ 移轴量， $\pm 10^\circ$ 倾斜量，可覆盖 $\phi 67\text{mm}$ 像场直径等特性。镜头采用特殊光学设计，保证光学素质的同时，更大的拓展了使用场景，增加了专业商业摄影师镜头方面的选择。
- 二、移动量 $\pm 12\text{mm}$
在拍摄过程中，很多时候由于环境的限制，拍摄机位离被摄物较近，可以借助 $\pm 12\text{mm}$ 的镜头偏移和旋转功能，方便构图和接片，让被摄物不会因为拍摄距离近、俯仰角度大而产生的近大远小的透视变化，让拍摄变得更为严谨。
- 三、倾斜量 $\pm 10^\circ$
移轴镜头的倾角功能就是将镜头的一部分倾斜。通过倾斜功能，摄影师可以实现合焦于不平行于图像传感器的平面特殊效果。
- 四、镜头结构
此镜头的机械机构全部采用金属部件，确保了镜头的组装精度和耐用性。镜头光学结构11组14片，采用了1片高折射率镜片和2片ED镜片，保证镜头锐度，又最大限度的降低了色散和畸变，同时提高了边缘画质。
- 五、镜头支架
配备专用移轴支架，移轴支架的主要作用是配合移轴镜头，使摄影师在保持透视不变的情况下移动相机的位置。这样，摄影师可以充分利用移轴镜头的像场，实现完美接片。

注意事项

△ 安全注意事项

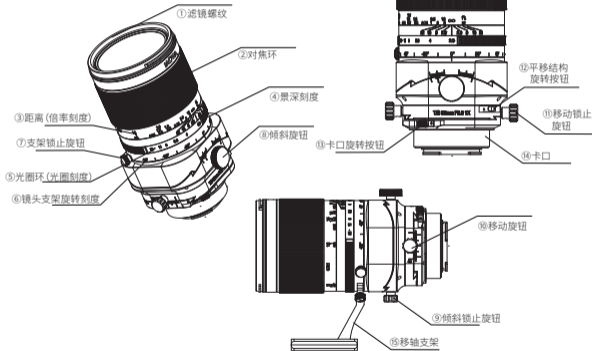
- 切勿自行在镜头结构拆装功能之外的拆解、修改或改装。当产品由于外力原因破损，切勿触碰外露部分或破损边缘处。
- 切勿放置于直射阳光下、封闭车辆中或其余高温处，否则过高的温度会使镜片和其他部件产生伸缩变形。
- 不使用镜头时，请将镜头前盖盖上或置于没有阳光照射处。凸透镜反射出的光线可能会聚集在附近物体上，导致发生火灾。
- 在逆光拍摄时，切勿将太阳置于画面中心，应该使太阳充分偏离画角，否则阳光会在相机内部聚集并导致火灾或灼伤眼睛。

注意事项

长期使用保养注意事项

- 避免触摸镜头表面,应用专用镜头布或气吹去除镜头表面的尘埃,不使用镜头时,应将镜头盖盖上。
- 使用镜头纸或镜头布清洁时,以螺旋的方式从中间向外擦拭镜头上的污垢以及指印。
- 镜头从寒冷的环境突然转移至温暖的环境时,镜头的外部以及内部镜片将会凝结水雾,所以在转移时应采取防潮保护措施。

各部件名称



使用说明

■ 镜头安装

取下镜头后盖。将镜头卡口上的安装标记⑭对准相机座圈上的对应标记, 随后将镜头插入机身座圈, 根据所购买卡口的安装方向旋转镜头, 直至咔嚓声锁紧镜头。安装时请不要用力过猛, 以免导致卡口损伤。

■ 镜头拆卸

关机后按住相机上的镜头释放按钮, 依照所购买卡口的安装方向反向旋转镜头, 随后将镜头从座圈中拔出。

装上镜头后, 请尝试旋转镜头确认是否已将其固定在相机上。

■ 对焦

此款镜头是全手动对焦镜头, 合焦时, 缓慢旋转对焦环②, 直至合焦。

不要过猛过快地旋转对焦环, 避免用力过度损坏对焦环部件。

镜头上的距离刻度③与景深刻度④是出于指导目的。实际焦点与最深可能同刻度标记稍有不同。

■ 使用倾斜功能

1, 拧松⑨倾斜锁止旋钮后

2, 转动⑧倾斜旋钮进行倾斜量的调整, 调整量为 $\pm 10^\circ$

■ 使用移动功能

1, 拧松⑩移动锁止旋钮

2, 转动⑩移轴旋钮来调整移动量

3, 在达到移轴需求量时, 拧紧锁止机构

■ 转动功能

转动功能使您能通过转动移动装置来改变移动的方向。

当镜头装在相机上时, 按住⑫平移旋转按钮后转动, 可实现顺时针 90° 旋转, 按住⑬卡口旋转按钮, 可以转动 $\pm 180^\circ$ 。镜头在每 15° 位置设置限位。

两处旋转结构, 可实现多角度的接片和特殊角度倾斜, 满足用户的多种拍摄需求。

移轴支架使用

拧松⑦支架锁止旋钮，镜头可实现±180°旋转，镜身上每15°有刻度显示，可根据拍摄需求调整角度，调整角度后，锁止⑦支架锁止旋钮。

光圈使用

光圈在镜头上调节，根据拍摄环境和与所需要的景深，转动光圈环②来选择对应的光圈。

由于此镜头无CPU数据，所以暂时无法记录光圈参数。

由于光圈为手动调节，无法较好的使用快门优先模式，但可以使用光圈优先模式(测光准确度视相机型号而定)。

规格表


FF II TS 55mm F2.8 Macro 1X	
画幅	全画幅
焦点距离	55mm
光圈范围	F2.8-F22
视场角	62.7°
像场覆盖范围	φ67mm
镜头结构	11组14枚(2枚ED, 1枚高折射率)
光阑叶片	15片
最近摄影距离(物像距离)	27cm
最近工作距离(微距专用)	8.3cm
最大放大倍率	1倍
移轴量	±12mm
倾斜角度	±10°
合焦驱动方式	手动(MF)
滤镜尺寸	φ77mm
镜头尺寸	约168.5*φ85mm
重量	约1345g(不含前后盖)
卡口	E/RF/Z/L/G/XCD



Preface

Thank you for purchasing our FF II TS 55mm F2.8 Macro 1X lens! Please read this Instruction Manual carefully before using the lens to fully understand its application methods and precautions.



 *For operational safety, please read the manual and precautions carefully before using this product, and keep the manual at a place that is easily accessible when needed. If you encounter a problem that cannot be solved, please ask for technical support through email.*

Features

- I.The lens is a standard focal segment shift macro lens designed for full-frame cameras, with a magnification of 1X, and infinite imaging, shift amount of $\pm 12\text{mm}$, tilt amount of $\pm 10^\circ$, can cover $\phi 67\text{mm}$ image field diameter and other characteristics. The lens adopts a special optical design to ensure the optical quality, while expanding the use of scenarios, increasing the choice of lens for professional commercial photographers.
- II.Shift amount of $\pm 11\text{mm}$
In the shooting process, many times the camera position is relatively close to the subject due to environmental limitations.With the help of $\pm 12\text{mm}$ lens offset and rotation function to facilitate composition and splicing, so that the subject will not experience small perspective changes due to close shooting distance and large pitch angle, making the shooting more rigorous.
- III.Tilt amount of $\pm 10^\circ$
The tilt function of the shift lens is to tilt a part of the lens. With the tilt function, photographers can achieve the special effect of focusing on a plane that is not parallel to the image sensor.
- IV. Lens structure
The mechanical mechanism of the lens is all made of metal parts, ensuring the accuracy and durability of the lens assembly. The lens is constructed by 14 optical elements in 11 groups, using 1 high refractive index lens and 2 ED lenses to ensure the lens sharpness, but also to minimize the dispersion and distortion, and improve the edge picture quality.
- V. Lens mount
It is equipped with a special shift holder. The main function of the shift holder is to cooperate with the shift lens, so that the photographer can move the camera position while keeping the perspective unchanged. In this way, the photographer can make full use of the image field of the shift lens to achieve a perfect connection.

Precautions

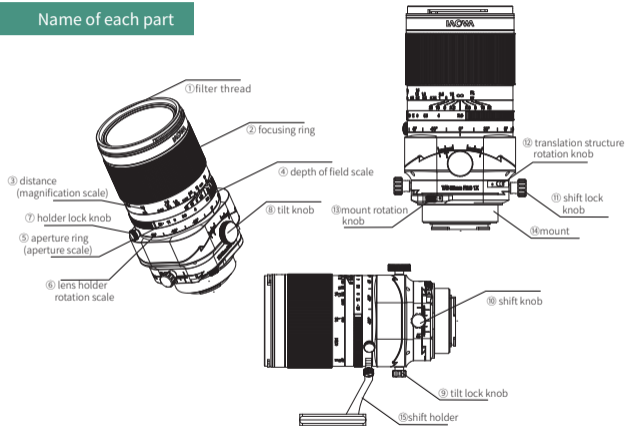
■ Safety Precautions

- Do not disassemble, modify the lens by yourself. Do not touch the internal parts that become exposed as the result of external force.
- Do not leave the lens where it will be exposed to high temperatures, such as in direct sunlight and an enclosed vehicle. Excessive heat may deform the glass elements and other parts of the lens.
- Whether it is attached to the camera or not, do not leave the lens under the sun without the lens cap attached. This is to prevent the lens from concentrating the sun's rays, which could cause a fire.
- Do not place the sun in the frame center when shooting with backlight. Doing so might cause a fire or harm your eyes.

Maintenance Precautions

- Do not touch the surface of the lens directly. Brush off any dust with a blower. Wipe the surface with a cleaning cloth or a lens tissue.
- Try a circular motion from the center outward to remove oil, fingerprints and grime on the lens surface.
- If your lens is brought directly from a cold place to a warm place, condensation may appear on the lens. To avoid this, be sure to take some action to protect the lens.

Name of each part



Instructions

■ Mounting lens

Take off the rear lens cap. Align the mounting mark (⑭) on the lens mount with the corresponding mark on the camera mount ring; then, insert the lens to the mount ring, rotate the lens in the mounting direction of the purchased mount, and stop rotating until a click sound is heard (meaning the lens is locked). Please do not apply excess force for mounting; otherwise, the mount may be damaged.

■ Detaching lens

Power off the camera; then, press and hold the lens release button, rotate the lens in a direction opposite to the mounting direction of the purchased mount, and draw out the lens from the mount ring. After lens mounting, please try to rotate the lens to ensure it is fixed on the camera.

■ Focusing

It is the manual focus lens. Rotate the focus ring (②) slowly until the image is in focus.

Do not rotate the focusing ring too forcefully or too quickly to avoid damaging the focusing ring components with excessive force.

The distance scale (③) and depth-of-field scale (④) on the lens are provided for instruction. The actual focal point and depth of field may be different from these marked scales.

■ Utilizing tilt function

1. Loosen the (⑨) tilt lock knob.

2. Rotate (⑧) tilt knob to adjust the tilt amount, the adjustment amount is $\pm 10^\circ$.

■ Utilizing shift function

1. Loosen the (⑪) shift lock knob.
2. Rotate the (⑩) shift knob to adjust the shift amount.
3. When the required shift amount is obtained, tighten the lock knob.

■ Rotation function

The rotation function enables you to change the shift direction by rotating the shift mechanism.

To achieve a 90°clockwise rotation by pressing and holding the (⑫) translation structure rotation knob while the lens is mounted on the camera.Hold down the (⑬)mount rotation knob to rotate $\pm 180^\circ$. A limiting position is provided at every 15° of the lens.

■ Usage of shift holder

Loosen the (⑦) holder lock knob, and the lens can rotate $\pm 180^\circ$.

The lens has a scale display every 15 degrees, and the angle can be adjusted according to the shooting needs.

After adjusting the angle, lock the (⑦) holder lock knob.

■ Usage of aperture

Adjust the aperture on the lens, and choose the corresponding aperture by rotating the aperture ring (②) according to the shooting environment and the required depth of field.

As no CPU data of the lens are available, its aperture parameters cannot be recorded temporarily.

Though the shutter-priority mode cannot be used well due to manual aperture adjustment, but the aperture-priority mode can be used (the metering accuracy depends on the camera model).

Specifications

FF II TS 55mm F2.8 Macro 1X	
Format	Full Frame
Focal Distance	55mm
Aperture Range	F2.8-F22
Angle of View	62.7°
Lens Structure	φ67mm
Aperture Blades	14 elements/11 groups (2 ED lens and 1 high index lens)
The range of image field coverage	15
Min. Shooting Distance (Object-Image Distance)	27cm
Min. Working Distance (Specially Used for Macro)	8.3cm
Maximum magnification	1
Shift amount	±12mm
Angle of Tilt	±10°
Focusing	MF
Filter Size	φ77mm
Lens Size	Approx.168.5*φ85mm
Weight	Approx. 1345g(Front and rear covers not included)
Mount	E/RF/Z/L/G/XCD

